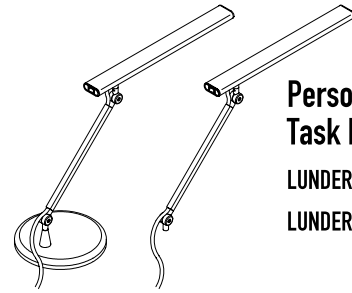




# Installation Instructions

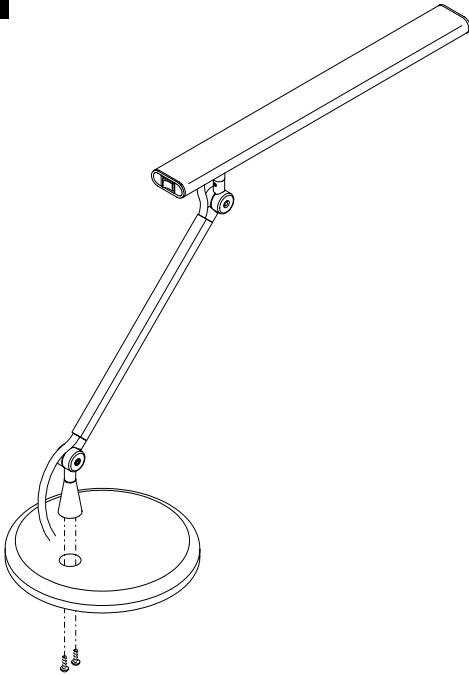
002724D Rev B



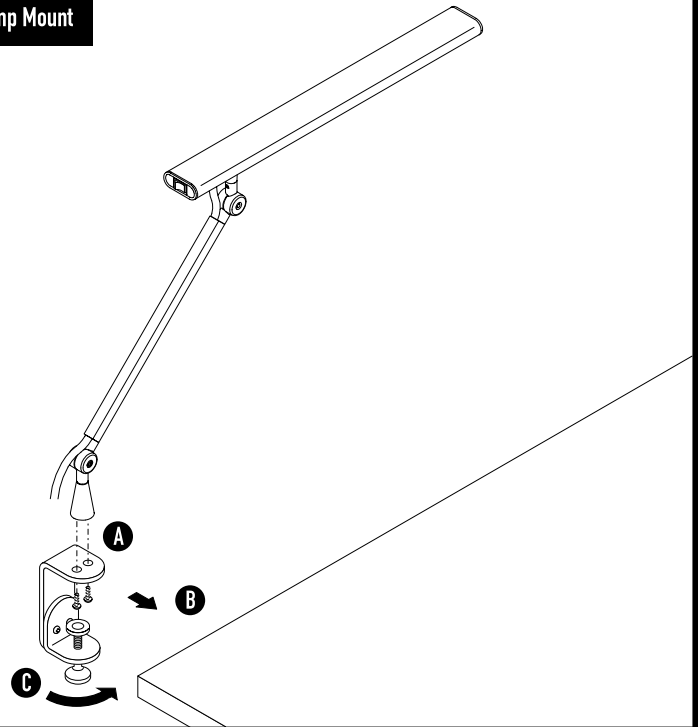
**Personal Underline  
Task Light**

LUNDERF, LUNDERCP,  
LUNDER9AA, LUNDERSW

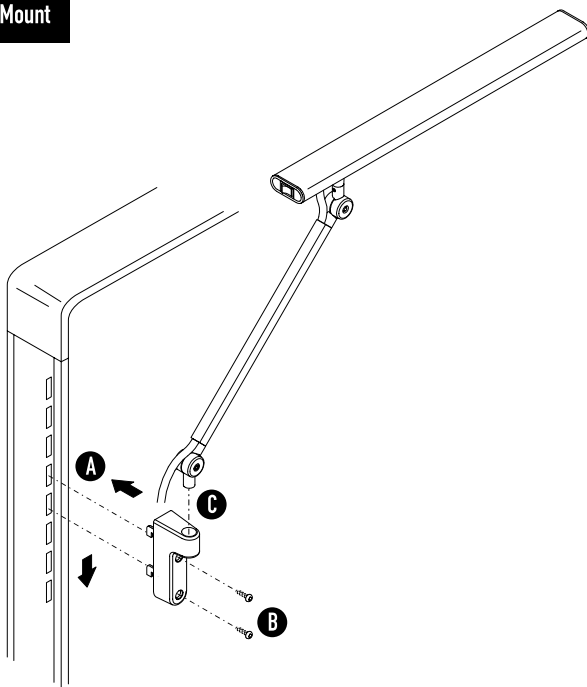
## Freestanding



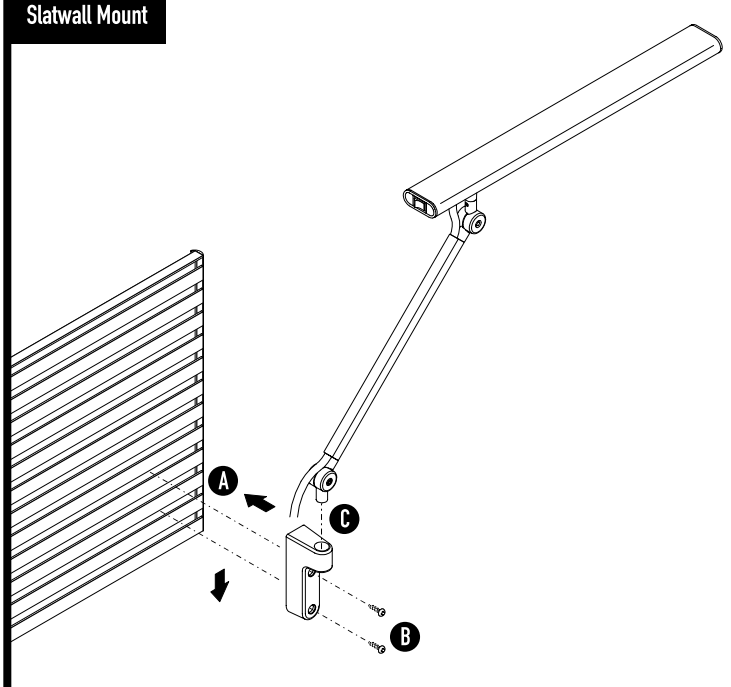
## Clamp Mount



## Panel Mount



## Slatwall Mount



For a better day at work.™

**details**®

A STEELCASE COMPANY

www.details-worktools.com  
P.O. Box 1967 Grand Rapids, MI 49501-1967  
All rights reserved. Printed in U.S.A. 11/04